

MEGAPIX Ai™

Next-generation video analytics

DWC-XSBA08Mi	4K bullet IP camera with Ai
DWC-XSBA05MiL	5MP bullet IP camera with Ai and ANPR
DWC-XSBA05MiM	5MP bullet IP camera with Ai ANPR and MMCR



Default login information: admin | admin

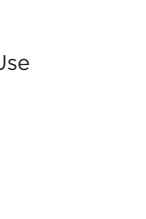
When logging into the camera for the first time, you will be prompted to set up a new password. You can set the new password using the DW® IP Finder™ software or directly from the camera's browser menu.

WHAT'S IN THE BOX

Star Wrench (T-10) for control panel cover		1	Star Wrench (T-20) for tilting adjustment		1
Test Monitor Cable		1	Moisture Absorber and Installation Guide (Recommended)		Set of two (2)
Screws and Plastic Anchors - 4pcs		1 set	Waterproof Cap and Rubber Rings (Black: ø0.15" (ø4mm), White: ø0.19" (ø5mm))		1
PoE injector and power cable (optional)		1 set	Quick Setup and Download Guides		1 set
Mounting template		1 set			

NOTE: Download all your support materials and tools in one place

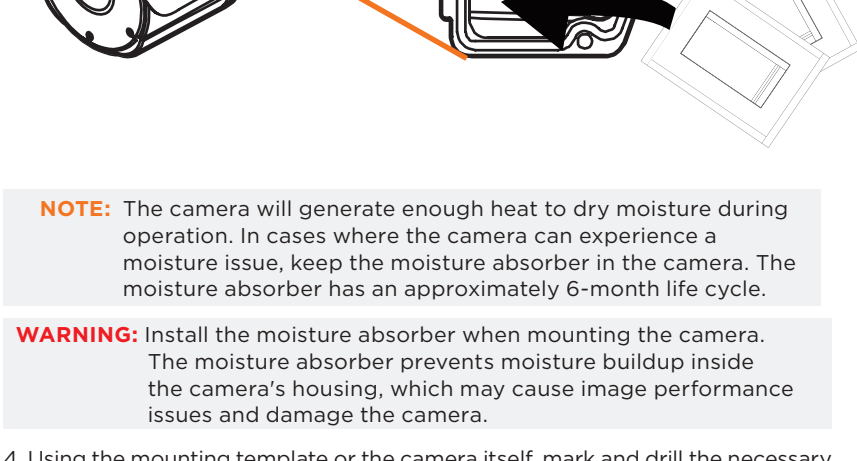
- Go to: <http://www.digital-watchdog.com/resources>
- Search your product by entering the part number in the 'Search by Product' search bar. Results for applicable part numbers will populate automatically based on the part number you enter.
- Click 'Search'. All supported materials, including manuals and quick start guide (QSGs) will appear in the results.



Attention: This document is intended to serve as a quick reference for the initial set-up. It is recommended that the user read the entire instruction manual for complete and proper installation and usage.

STEP 1 - PREPARING TO MOUNT THE CAMERA

- For the installation process, remove the sun-shield cover as needed.
- Remove the moisture absorber packet from the camera's control panel. Use the T-10 star wrench included with the camera to open the control panel.
- Install the new moisture packet in the camera's control panel.
 - Remove the moisture absorber packet from the packaging.
 - Place the moisture absorber packet under the camera's SD card slot.

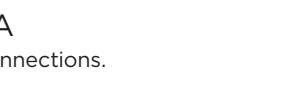


NOTE: The camera will generate enough heat to dry moisture during operation. In cases where the camera can experience a moisture issue, keep the moisture absorber in the camera. The moisture absorber has an approximately 6-month life cycle.

WARNING: install the moisture absorber when mounting the camera. The moisture absorber prevents moisture buildup inside the camera's housing, which may cause image performance issues and damage the camera.

- Using the mounting template or the camera itself, mark and drill the necessary holes in the wall or ceiling.

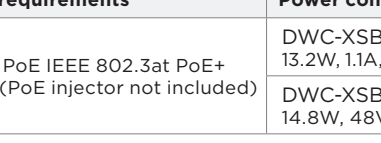
Resetting the camera: With the camera powered ON, hold press the reset button on the external control panel for five (5) seconds to initiate a camera-wide reset of all the settings, including network settings.



STEP 2 - POWERING THE CAMERA

Pass the wires through and make all necessary connections.

Use a PoE Injector (required. Sold separately) to connect data and power to the camera using a single Ethernet cable.



Use a non-PoE Switch to connect data using an Ethernet cable and use a power adapter to power the camera.

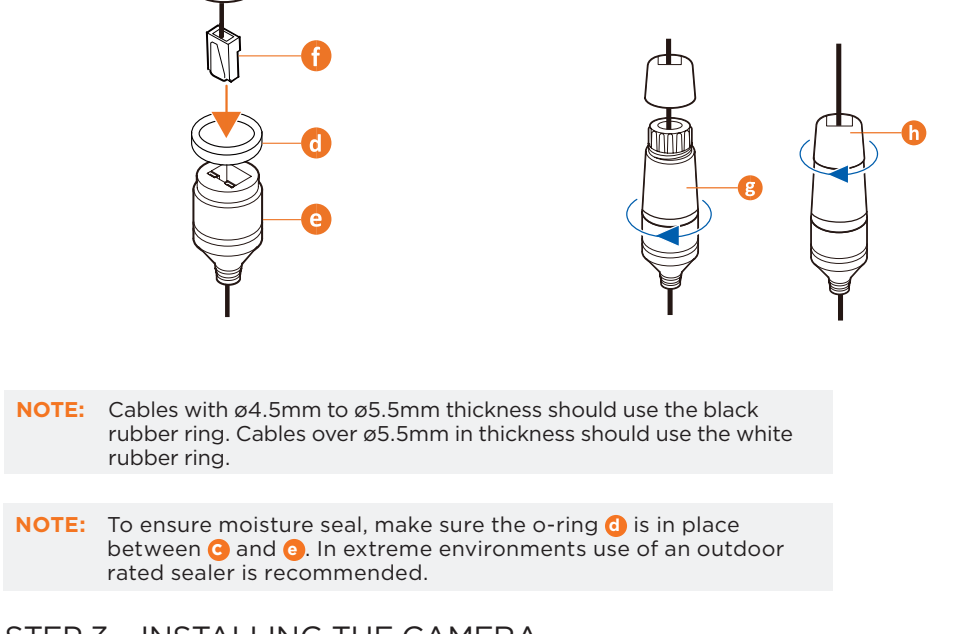


OR

Power requirements	Power consumption
DC12V, PoE IEEE 802.3at PoE+ Class4 (PoE injector not included)	DWC-XSBA05MiL, DWC-XSBA05MiM: DC12V: 13.2W, 1.1A, PoE: 14.4W, 48VDC 0.3A
	DWC-XSBA08Mi: DC12V: 13.2W, 1.1A, PoE: 14.8W, 48VDC 0.3A

WATERPROOF CAP INSTALLATION

The waterproof cap set comes with two rubber rings. Use the rubber ring best sized for your network cable's diameter.



NOTE: Cables with ø4.5mm to ø5.5mm thickness should use the black rubber ring. Cables over ø5.5mm in thickness should use the white rubber ring.

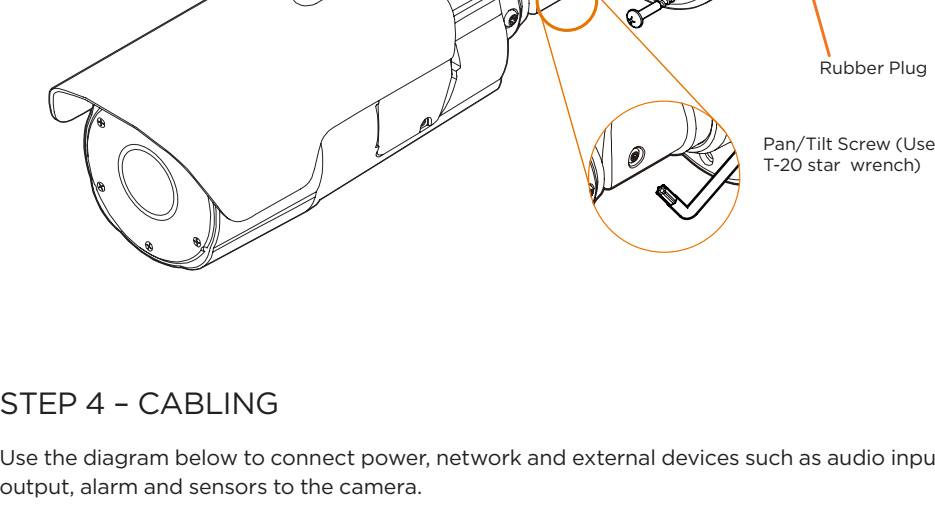
NOTE: To ensure moisture seal, make sure the o-ring is in place between c and e. In extreme environments use of an outdoor rated cable is recommended.

STEP 3 - INSTALLING THE CAMERA

- Mount the camera to the mounting surface and secure using the screws and anchors included. If you are mounting the camera directly on the mounting surface, with no mounting accessory, remove the rubber plug on the side of the camera's bracket and use the gap as a cable guide.

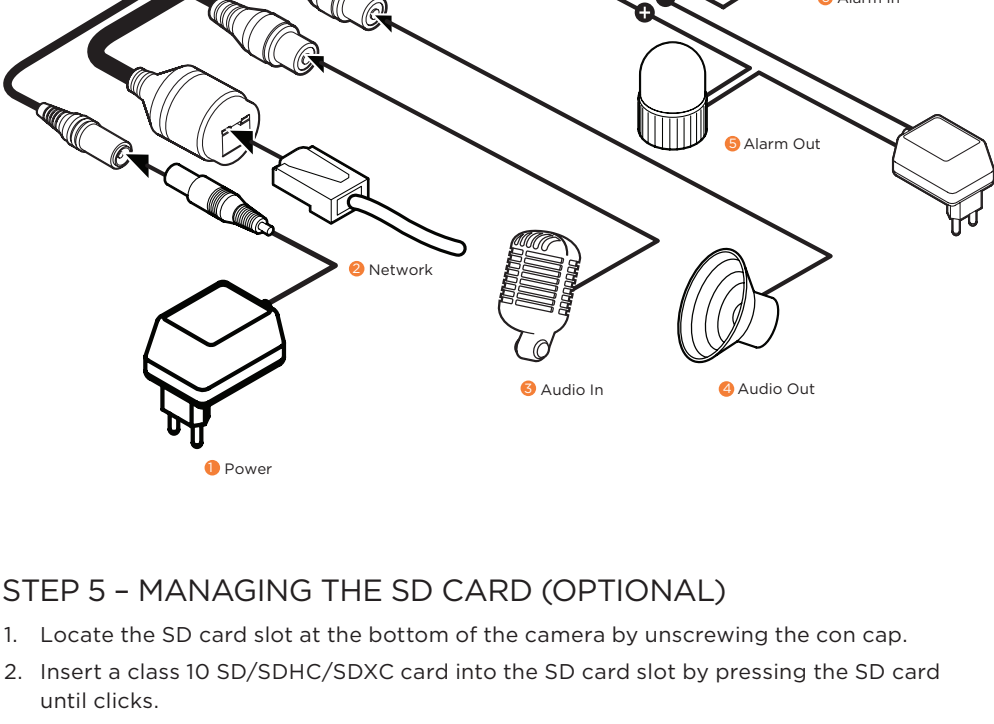
NOTE: When setting up the camera for the first time, use the CALIBRATE button on the camera's web GUI to auto calibrate the camera's lens before operation.

- Loosen the pan and tilt screws at the base of the camera's bracket to adjust the camera's view and position.
- Remove the protective film from the lens cover. Softly wipe the dome/lens cover with lens tissue or a microfiber cloth with ethanol to remove any dust or smudges left from the installation process.



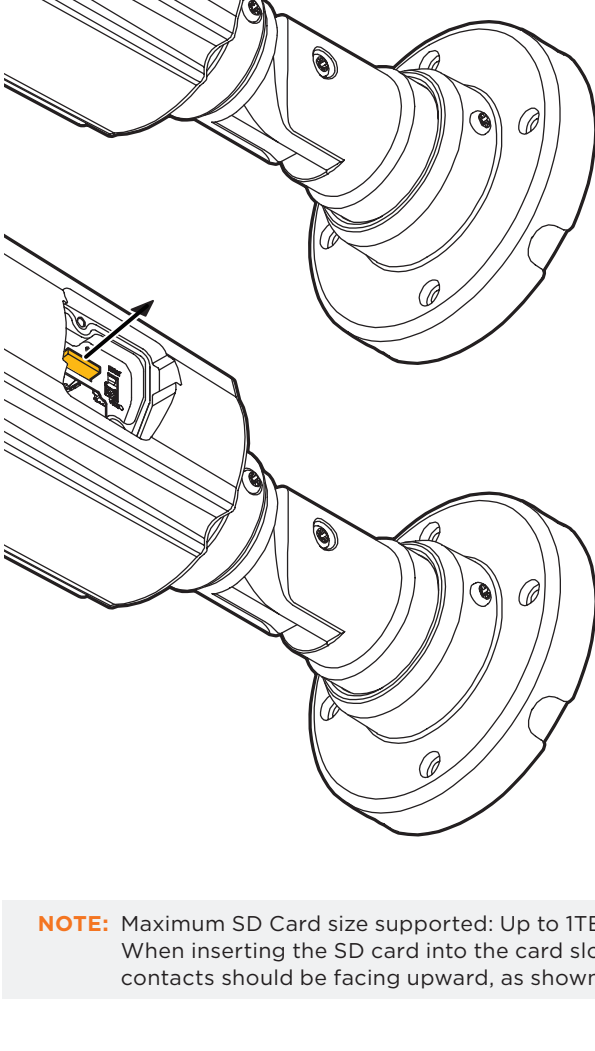
STEP 4 - CABLING

Use the diagram below to connect power, network and external devices such as audio input and output, alarm and sensors to the camera.



STEP 5 - MANAGING THE SD CARD (OPTIONAL)

- Locate the SD card slot at the bottom of the camera by unscrewing the con cap.
- Insert a class 10 SD/SDHC/SDXC card into the SD card slot by pressing the SD card until it clicks.
- Press the card inward until it clicks to release from the card slot then pull it out from the slot.



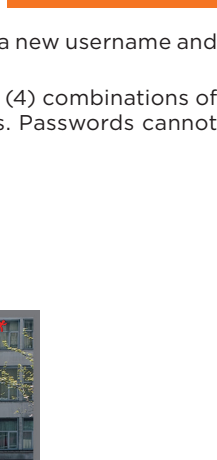
NOTE: Maximum SD Card size supported: Up to 1TB micro SD / FAT32. When inserting the SD card into the SD slot, the SD card's contacts should be facing upward, as shown in the diagram.

STEP 6 - DW® IP FINDER™

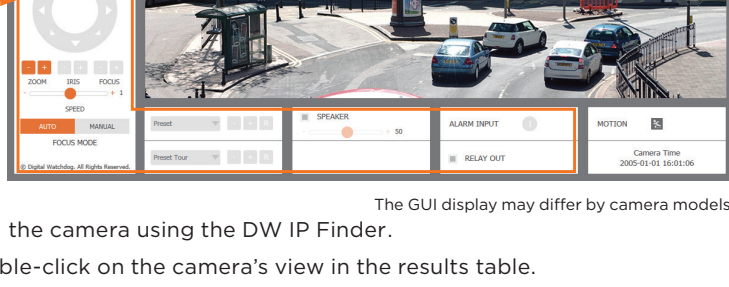
- Download and install the DW IP Finder from the DW website at: <http://www.digital-watchdog.com>
- Open the DW IP Finder and click 'Scan Devices' to find the camera on the network.
- A password must be set when connecting to the camera for the first time.
 - Check the box next to the camera.
 - Click "Bulk Password Assign" on the left.
 - Enter admin/admin for the current username and password. Enter a new username and password to the right.

Password must have at least eight (8) characters and at least four (4) combinations of uppercase and lowercase letters, numbers and special characters. Passwords cannot contain the user ID.

 - Click "change" to apply all changes.



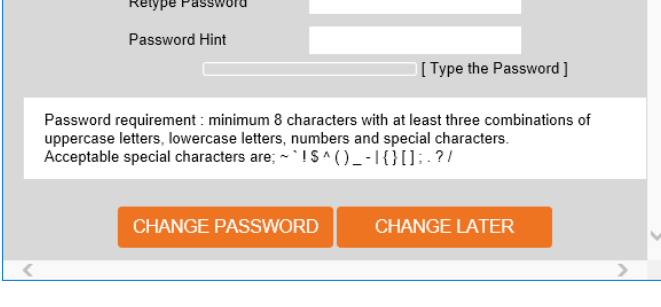
STEP 7 - WEB VIEWER



The GUI display may differ by camera models.

- Find the camera using the DW IP Finder.
- Double-click on the camera's view in the results table.
- Press the 'View Camera Website'.
- Enter the camera's username and password you setup in the DW IP Finder.

If you did not setup a new username and password, a message will direct you to setup a new password for the camera to view the video.



NOTE: Please see the full product manual for web viewer setup, functions and camera settings options.

NOTE: This product is covered by one or more claims of the HEVC Patents listed at patentlist.accessadvance.com.

